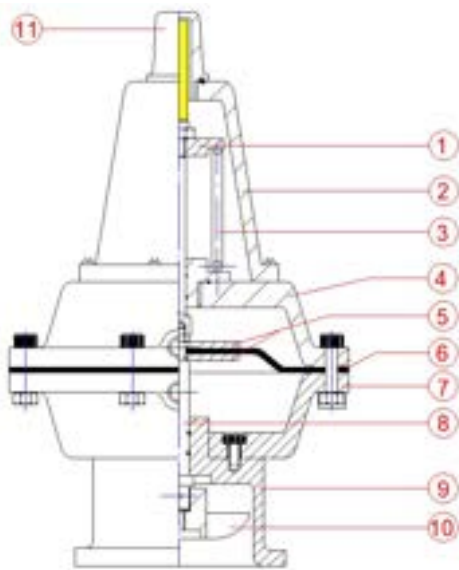


Atuador Pneumático Normal Aberto



Posição	Componente
1	Apoio da Mola
2	Copo da Mola
3	Mola
4	Campânula Superior
5	Prato do Diafragma
6	Diafragma do comando
7	Campânula Inferior
8	Haste
9	Tampa
10	Compressor
11	Indicador de Abertura



Principais Dimensões

Modelo	IF-S113			IF-S170			IF-S266				IF-S330			IF-S370			IF-S600	
Bitola	1/2"	3/4"	1"	1"	1.1/4"	1.1/2"	2"	2"	2.1/2"	3"	4"	3"	4"	5"	4"	5"	6"	8"
ØA	113,0	113,0	113,0	170,0	170,0	170,0	170,0	266,0	266,0	266,0	266,0	336,0	336,0	366,0	370,0	370,0	370,0	600,0
B	235,0	240,0	246,0	308,0	312,0	318,0	322,0	447,0	455,0	493,0	503,0	512,0	520,0	544,0	651,0	677,0	698,0	980,0

