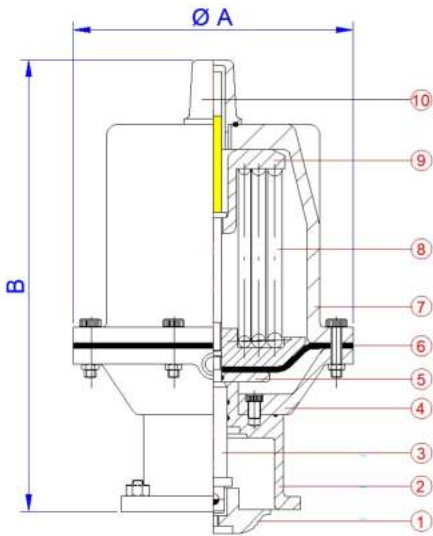


Atuador Pneumático Normal Fechado



Posição	Componente
1	Compressor
2	Tampa
3	Haste
4	Campânula Inferior
5	Prato do Diafragma
6	Diafragma do Comando
7	Campânula Superior
8	Mola
9	Apoio da Mola
10	Indicador de Abertura



Pressão recomendada de operação em função da pressão de linha												
Tamanho do atuador	Bitola	Comb.Molas	1	2	3	4	5	6	7	8	9	10
SÉRIE 113	1/2"	1	3 Bar							3,0 Bar		
		2										
		3										
	3/4"	1	2,5 Bar		4,0 Bar				5,0 Bar			
		2										
		3										
1"	1	5,0 Bar					3,0 Bar					
	2											
	3											
SÉRIE 170	1"	1	3,0 Bar							4 Bar		
		2										
		3										
	1.1/4"	1	3,0 Bar					5,0 Bar				
		2										
		3										
1.1/2"	1	3,0 Bar			4,0 Bar				6,0 Bar			
	2											
	3											
SÉRIE 266	2"	1	3 Bar			4 Bar		6 Bar			3 Bar	
		2										
		3										
	2.1/2"	1	4,0 Bar							3,0 Bar		
		2										
		3										
3"	1	3,0 Bar			4,0 Bar				6,0 Bar			
	2								3 Bar			
	3											
SÉRIE 330	3"	1	3,0 Bar		4,0 Bar			5,0 Bar				
		2										
		3										
	4"	1	4,0 Bar				6,0 Bar					
		2										
		3										
5"	1								3 Bar			
	2											
	3											
SÉRIE 370	4"	1	3,0 Bar				4,0 Bar					
		2										
		3										
	5"	1	3,0 Bar				4,0 Bar					
		2										
		3										
6"	1	3,0 Bar			4,0 Bar		6,0 Bar					
	2											
	3											
SÉRIE 600	8"	1	6,0 Bar					6,0 Bar				

Principais Dimensões																		
Modelo	IF-S113			IF-S170				IF-S266				IF-S330			IF-S370			IF-S600
Bitola	1/2"	3/4"	1"	1"	1.1/4"	1.1/2"	2"	2"	2.1/2"	3"	4"	3"	4"	5"	4"	5"	6"	8"
ØA	113,0	113,0	113,0	170,0	170,0	170,0	170,0	266,0	266,0	266,0	266,0	336,0	336,0	366,0	370,0	370,0	370,0	600,0
B	221,0	230,0	238,0	270,0	276,0	282,0	295,0	380,0	395,0	405,0	454,0	442,0	455,0	471,0	530,0	570,0	585,0	1030,0